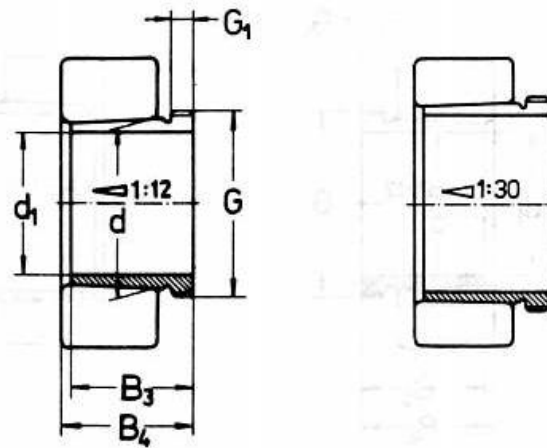


Bucse de extracție

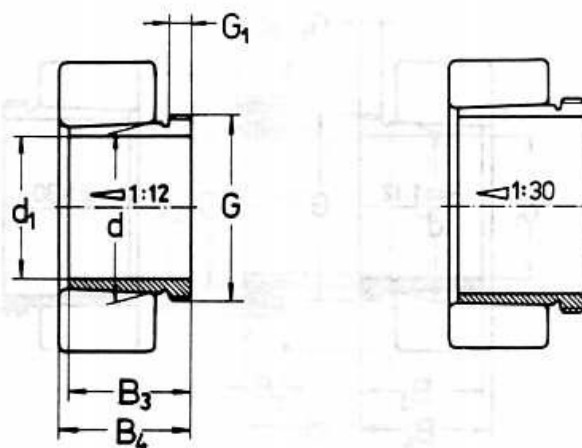
STAS 6191



Dimensiuni		B ₃	B ₄	G	G ₁	Simbol bucșă STAS 5814	piuliță STAS 5816	Masa
d ₁	d							
35	40	29	32	M45×1,5	6	AH308	KM9	0,090
	40	40	43	M45×1,5	7	AH2308	KM9	0,128
40	45	31	34	M50×1,5	6	AH309	KM10	0,109
	45	44	47	M50×1,5	7	AH2309	KM10	0,164
45	50	35	38	M55×2	7	AH310	KM11	0,137
	50	50	53	M55×2	9	AH2310	KM11	0,209
50	55	37	40	M60×2	7	AH311	KM12	0,161
	55	54	57	M60×2	10	AH2311	KM12	0,253
55	60	40	43	M65×2	8	AH312	KM13	0,189
	60	58	61	M65×2	11	AH2312	KM13	0,297
60	65	42	45	M75×2	8	AH313	KM15	0,253
	65	61	64	M75×2	12	AH2313	KM15	0,395
65	70	43	47	M80×2	8	AH314	KM16	0,280
	70	64	68	M80×2	12	AH2314	KM16	0,466
70	75	45	49	M85×2	8	AH315	KM17	0,313
	75	68	72	M85×2	12	AH2315	KM17	0,534
75	80	48	52	M90×2	8	AH316	KM18	0,365
	80	71	75	M90×2	12	AH2316	KM18	0,597
80	85	52	56	M95×2	9	AH317	KM19	0,429
	85	74	78	M95×2	13	AH2317	KM19	0,670
85	90	53	57	M100×2	9	AH318	KM20	0,461
	90	63	67	M100×2	10	AH3218	KM20	0,570
	90	79	83	M100×2	14	AH2318	KM20	0,779
90	95	57	61	M105×2	10	AH319	KM21	0,532
	95	67		M105×2	11	AH3219	KM21	0,655
	95	85	89	M105×2	16	AH2319	KM21	0,886
95	100	59	63	M110×2	10	AH320	KM22	0,582
	100	64	68	M110×2	11	AH3120	KM22	0,650
	100	73	77	M110×2	11	AH3220	KM22	0,767
	100	90	94	M110×2	16	AH2320	KM22	0,998
105	110	68	72	M120×2	11	AH3122	KM24	0,760
	110	68	72	M120×2	11	AH322	KM24	0,663
	110	82	86	M125×2	11	AH3222	KM25	1,04
	110	82	91	M115×2	13	AH24122	KM23	0,730
	110	98	102	M125×2	16	AH2322	KM25	1,35
115	120	60	64	M130×2	13	AH3024	KM26	0,750
	120	73	82	M125×2	13	AH24024	KM25	0,650
	120	75	79	M130×2	12	AH3124	KM26	0,950

Bucse de extracție

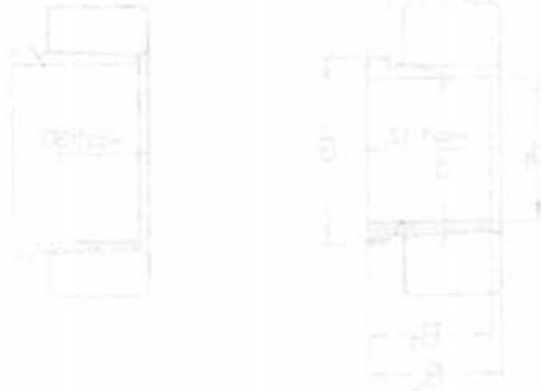
STAS 6191



Dimensiuni d ₁	d	B ₃	B ₄	G	G ₁	Simbol bucșă STAS 5814	piuliță STAS 5816	Masa
mm								kg
115	120	90	94	M135×2	13	AH3224	KM27	1,30
	120	93	102	M130×2	13	AH24124	KM26	1,00
	120	105	109	M135×2	17	AH2324	KM27	1,60
125	130	67	71	M140×2	14	AH3026	KM28	0,930
	130	78	82	M140×2	12	AH3126	KM28	1,08
	130	83	93	M135×2	14	AH24026	KM27	0,840
	130	94	104	M140×2	14	AH24126	KM28	1,11
	130	98	102	M145×2	15	AH3226	KM29	1,58
	130	115	119	M145×2	19	AH2326	KM29	1,97
135	140	68	73	M150×2	14	AH3028	KM30	1,01
	140	83	88	M150×2	14	AH3128	KM30	1,28
	140	83	93	M145×2	14	AH24028	KM29	0,910
	140	99	109	M150×2	14	AH24128	KM30	1,25
	140	104	109	M155×3	15	AH3228	KM31	1,84
	140	125	130	M155×3	20	AH2328	KM31	2,33
145	150	72	77	M160×3	15	AH3030	KM32	1,15
	150	90	101	M155×3	15	AH24030	KM31	1,04
	150	96	101	M165×3	15	AH3130	KM33	1,79
	150	114	119	M165×3	17	AH3230	KM33	2,22
	150	115	126	M160×3	15	AH24130	KM32	1,56
	150	135	140	M165×3	24	AH2330	KM33	2,82
150	160	77	82	M170×3	16	AH3032	KM34	2,06
	160	95	106	M170×3	15	AH24032	KM34	2,33
	160	103	108	M180×3	16	AH3132	KM36	3,21
	160	124	130	M180×3	20	AH3232	KM36	4,08
	160	124	135	M170×3	15	AH24132	KM34	3,00
	160	140	146	M180×3	24	AH2332	KM36	4,72
160	170	85	90	M180×3	17	AH3034	KM36	2,43
	170	104	109	M190×3	16	AH3134	KM38	3,40
	170	106	117	M180×3	16	AH24034	KM36	2,80
	170	125	136	M180×3	16	AH24134	KM36	3,21
	170	134	140	M190×3	24	AH3234	KM38	4,80
	170	146	152	M190×3	24	AH2334	KM38	5,25
170	180	92	98	M190×3	17	AH3036	KM38	2,81
	180	105	110	M200×3	17	AH2236H	KM40	3,75
	180	116	122	M200×3	19	AH3136	KM40	4,22
	180	116	127	M190×3	16	AH24036	KM38	3,10
	180	134	145	M190×3	16	AH24136	KM38	3,68
	180	140	146	M200×3	24	AH3236	KM40	5,32
180	154	160	M200×3	26	AH2336	KM40	5,83	

Bucșe de extracție

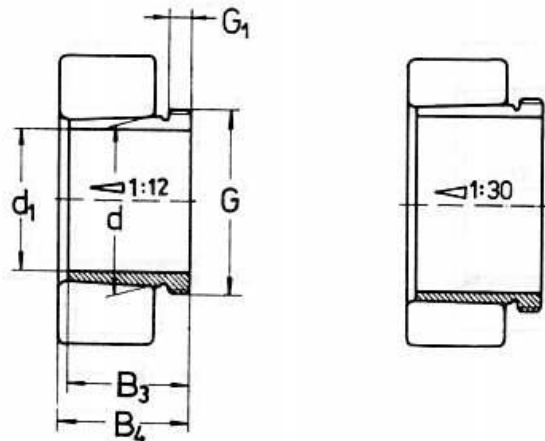
STAS 6191



Dimensiuni		B ₃	B ₄	G	G ₁	Simbol bucșă STAS 5814	piuliță STAS 5816	Masa	Impulsivitate
d ₁	d								
mm								kg	
180	190	96	102	Tr205×4	18	AH3038	HML41T	3,32	
	190	112	117	Tr210×4	18	AH2238	HM42T	4,25	
	190	118	131	M200×3	18	AH24038	KM40	3,50	
	190	125	131	Tr210×4	20	AH3138	HM42T	4,89	
	190	145	152	Tr210×4	25	AH3238	HM42T	5,90	
190	190	146	159	M200×3	18	AH24138	KM40	4,28	
	190	160	167	Tr210×4	26	AH2338	HM42T	6,36	
	200	102	108	Tr215×4	19	AH3040	HML43T	3,80	
	200	118	123	Tr220×4	19	AH2240	HM44T	4,68	
	200	127	140	Tr210×4	18	AH24040	HM42T	3,93	
200	200	134	140	Tr220×4	21	AH3140	HM44T	5,49	
	200	153	160	Tr220×4	25	AH3240	HM44T	6,68	
	200	158	171	Tr210×4	18	AH24140	HM42T	5,10	
	200	170	177	Tr220×4	30	AH2340	HM44T	7,54	
	200	220	111	117	Tr235×4	20	AH3044	HML47T	7,40
220		138	152	Tr230×4	20	AH24044	HM46T	8,25	
220		145	151	Tr240×4	23	AH3144	HM48T	10,4	
220		170	184	Tr230×4	20	AH24144	HM46T	10,2	
220		181	189	Tr240×4	30	AH2344	HM48T	13,5	
220	220	181	189	Tr240×4	30	AH3244H	HM48T	13,5	
	240	116	123	Tr260×4	21	AH3048	HML52T	8,75	
	240	138	153	Tr250×4	20	AH24048	HM50T	9,00	
	240	144	150	Tr260×4	21	AH2248	HM52T	11,1	
	240	154	161	Tr260×4	25	AH3148	HM52T	12,0	
240	240	180	195	Tr260×4	20	AH24148	HM50T	12,5	
	240	189	197	Tr260×4	30	AH2348	HM52T	15,5	
	240	189	197	Tr260×4	30	AH3248H	HM52T	14,0	
	260	128	135	Tr280×4	23	AH3052	HML56T	10,7	
	260	155	179	Tr290×4	26	AH2252H	HM58T	12,5	
260	260	162	178	Tr270×4	22	AH24052H	HM54T	10,5	
	260	172	179	Tr290×4	26	AH3152H	HM58T	16,0	
	260	202	218	Tr280×4	22	AH24152H	HM56T	14,0	
	260	205	213	Tr260×4	30	AH2352	HM58T	17,5	
	260	205	213	Tr290×4	30	AH3252H	HM58T	17,5	
260	280	131	139	Tr300×4	24	AH3056H	HML60T	11,0	
	280	162	179	Tr290×4	22	AH24056H	HM58T	11,5	
	280	175	183	Tr310×5	28	AH3156H	HM62T	15,5	
	280	202	219	Tr300×4	22	AH24156H	HM60T	15,0	
	280	212	220	Tr310×5	30	AH2356	HM62T	19,5	
280	212	220	Tr310×5	30	AH3256H	HM62T	19,5		

Bucșe de extracție

STAS 6191



Dimensiuni		B ₁	B ₂	G	G ₁	Simbol bucșă STAS 5814	piuliță STAS 5816	Masa
d ₁	d							
mm								
kg								
280	300	145	153	Tr320×5	26	AH3060H	HML64T	13,0
	300	184	202	Tr310×5	24	AH24060H	HM62T	14,0
	300	192	200	Tr330×5	30	AH3160H	HM66T	19,0
	300	224	242	Tr320×5	24	AH24160H	HM64T	18,5
	300	228	236	Tr330×5	34	AH3260H	HM66T	23,5
300	320	149	157	Tr345×5	27	AH3064H	HML69T	14,5
	320	184	202	Tr330×5	24	AH24064H	HM66T	15,0
	320	209	217	Tr350×5	31	AH3164H	HM70T	22,5
	320	242	260	Tr340×5	24	AH24164H	HM68T	20,5
	320	246	254	Tr350×5	36	AH3264H	HM70T	27,5
320	340	162	171	Tr365×5	28	AH3068H	HML73T	17,5
	340	206	225	Tr360×5	26	AH24068H	HM72T	18,0
	340	225	234	Tr370×5	33	AH3168H	HM74T	26,5
	340	264	273	Tr370×5	38	AH3268H	HM74T	32,0
	340	269	288	Tr360×5	26	AH24168H	HM72T	25,5
340	360	167	176	Tr385×5	30	AH3072H	HML77T	19,0
	360	206	226	Tr380×5	26	AH24072H	HM76T	20,0
	360	229	238	Tr400×5	35	AH3172H	HM80T	30,0
	360	269	289	Tr380×5	26	AH24172H	HM76T	26,0
	360	274	283	Tr400×5	40	AH3272H	HM80T	33,0
360	380	170	180	Tr410×5	31	AH3076H	HML82T	23,5
	380	208	228	Tr400×5	28	AH24076H	HM80T	23,5
	380	232	242	Tr420×5	36	AH3176H	HM84T	36,0
	380	271	291	Tr400×5	28	AH24176H	HM80T	31,0
	380	284	294	Tr420×5	42	A3276H	HM84T	45,5
380	400	183	193	Tr430×5	33	AH3080H	HML86T	27,0
	400	228	248	Tr420×5	28	AH24080H	HM84T	27,0
	400	240	250	Tr440×5	38	AH3180H	HM88T	39,5
	400	278	298	Tr420×5	28	AH24180H	HM84T	35,0
	400	302	312	Tr440×5	44	AH3280H	HM88T	51,5
400	420	186	196	Tr450×5	34	AH3084H	HML90T	29,0
	420	230	252	Tr440×5	30	AH24084H	HM88T	29,0
	420	266	276	Tr460×5	40	AH3184H	HM92T	46,0
	420	310	332	Tr440×5	30	AH24184H	HM88T	39,0
	420	321	331	Tr460×5	46	AH3284H	HM92T	77,0
420	440	194	205	Tr470×5	35	AH3088H	HML94T	36,0
	440	242	264	Tr460×5	30	AH24088H	HM92T	32,0
	440	270	281	Tr480×5	42	AH3188H	HM96T	69,0
	440	310	332	Tr460×5	30	AH24188H	HM92T	42,5
	440	330	341	Tr480×5	48	AH3288H	HM96T	81,0
440	460	202	213	Tr490×5	37	AH3092H	HML98T	40,0
	460	285	296	Tr510×6	43	AH3192H	HM102T	70,0
	460	332	355	Tr480×5	32	AH24192H	HM96T	50,0
	460	349	360	Tr510×6	50	AH3292H	HM102T	97,0

Bucse de extracție

STAS 6191

Dimensiuni d ₁	d	B ₁	B ₂	G	G ₁	Simbol bucșă STAS 5814	piuliță STAS 5816	Masa
						—		kg
460	480	205	217	Tr520×6	38	AH3096H	HML104T	44,0
	480	295	307	Tr530×6	45	AH3196H	HM106T	82,0
	480	340	363	Tr500×5	32	AH24196H	HM100T	51,5
	480	364	376	Tr530×6	52	AH3296H	HM106T	114
480	500	163	172	Tr520×6	32	AH39/500H	HMLL104T	31,0
	500	209	221	Tr540×6	40	AH30/500H	HML108T	47,0
	500	313	325	Tr550×6	47	AH31/500H	HM110T	90,0
	500	360	383	Tr530×6	35	AH241/500H	HM106T	57,0
	500	393	405	Tr550×6	54	AH32/500H	HM110T	120
500	530	175	185	Tr550×6	37	AH39/530H	HMLL110T	47,0
	530	230	242	Tr560×6	45	AH30/530H	HML112T	62,0
	530	370	394	Tr550×6	35	AH241/530H	HM110T	86,0
530	560	180	190	Tr580×6	37	AH39/560H	HMLL116T	55,0
	560	240	252	Tr590×6	45	AH30/560H	HML118T	76,0
	560	393	417	Tr580×6	38	AH241/560H	HM116T	97,0
560	600	413	439	Tr630×6	38	AH241/600H	HM126T	120
570	600	192	202	Tr625×6	38	AH39/600H	HMLL125T	57,0
	600	245	259	Tr630×6	45	AH30/600H	HML126T	77,0
600	630	210	222	Tr655×6	40	AH39/630H	HMLL131T	64,0
	630	258	272	Tr670×6	46	AH30/630H	HML134T	91,0
	630	440	466	Tr650×6	40	AH241/630H	HM130T	130
630	670	216	228	Tr695×6	41	AH39/670H	HMLL139T	107
	670	280	294	Tr710×7	50	AH30/670H	HML142T	126
670	710	228	240	Tr740×7	43	AH39/710H	HMLL148T	123
	710	286	302	Tr750×7	50	AH30/710H	HML150T	133
710	750	234	246	Tr780×7	44	AH39/750H	HMLL156T	128
750	800	245	257	Tr830×7	45	AH39/800H	HMLL166T	183
	800	308	326	Tr850×7	50	AH30/800H	HML170T	211
800	850	258	270	Tr880×7	50	AH39/850H	HMLL176T	184
850	900	265	277	Tr930×8	51	AH39/900H	HMLL186T	226
	900	335	355	Tr950×8	55	AH30/900H	HML190T	248
900	950	282	297	Tr980×8	50	AH39/950H	HMLL196T	227