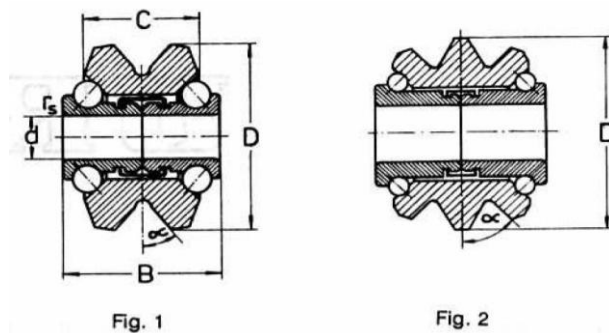


### Angular contact ball bearings, double row, non-standardized

Dimensions							Fig.	Basic radial load		Speed limit		Designation	Weight
d	D	B	C	r <sub>s</sub> min.	α grade	a		dyn. C <sub>r</sub>	stat. C <sub>0r</sub>	grease min <sup>-1</sup>	oil min <sup>-1</sup>		
20	47	20.6		1	32	30	1	15.8	7.9	9500	14000	<b>5204</b>	0.157
35	72	29	22	2	32	48	3	54.6	35.5	6000	8000	<b>3407D</b>	0.310
	74	30		3	32	48	2	57.3	46.1	6000	8000	<b>3507DTN</b>	0.585
36	76	29	27	2.3	31	45	3	54	44.5	5600	7500	<b>3607DTN</b>	0.575
45	100	39.7		2.3	26	17	4	85.9	75.8	5600	7500	<b>5309</b>	1.750
120	190	66		2	36	146	2	157	207	1900	2800	<b>3424DMP6</b>	7.110
	190	66		2	32	130	2	175	226	1900	2800	<b>3524DMP6</b>	6.170
180	260	66		2.1	32	171	2	208	318	1300	1900	<b>3436DM</b>	10.900
190	270	33	66	2.1	32	180	2	273	396	1200	1800	<b>3438DMW1</b>	9.660
200	290	76		2.1	32	192	2	307	468	1100	1600	<b>3440DMW33</b>	15.500
230	330	80		2.1	32	214	2	354	592	1000	1400	<b>3446DMW33</b>	21.000
250	340	76	70	2.1	40	286	3	317	539	600	900	<b>3450DFS1</b>	19.000
260	370	46		2.1	32	246	2	395	705	850	1300	<b>3452DMW33</b>	28.000
280	390	92		2.1	32	258	2	416	776	800	1200	<b>3456DMW33</b>	32.500



### Angular contact ball bearings, double row, non-standardized

Dimensions							Fig.	Basic radial load		Designation	Weight
d	D	B	C	r <sub>s</sub> min.	a	dyn. C <sub>r</sub>		stat. C <sub>0r</sub>			
12	42.9	31	21.5	0.6	33.7	1	12	8.5	<b>790601</b>	0.182	
15	54.5	45	33	0.6	49.1	2	13.3	10.8	<b>790202</b>	0.428	